

estimating size selection of Norway lobster in the Mediterranean commercial creel fishery

AIM

To estimate size selection of *Nephrops norvegicus* in creel fishery in the Mediterranean Sea

TARGET SPECIES

Norway lobster (*Nephrops norvegicus*)

AREA

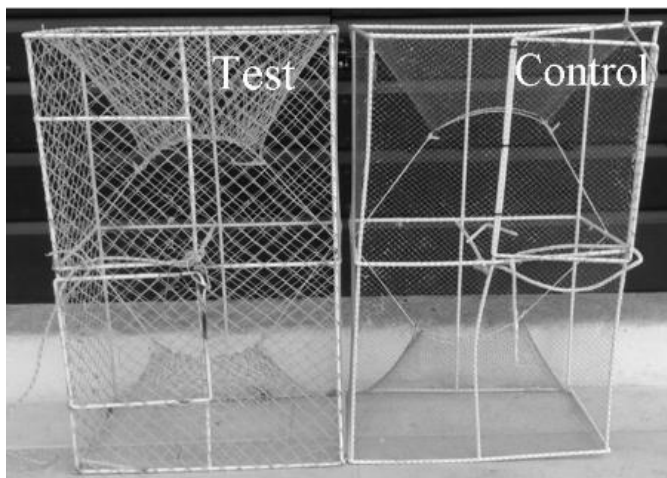
Adriatic Sea

VESSEL

on board small commercial fishing vessel
(LOA 6.90 m, 84 hp)

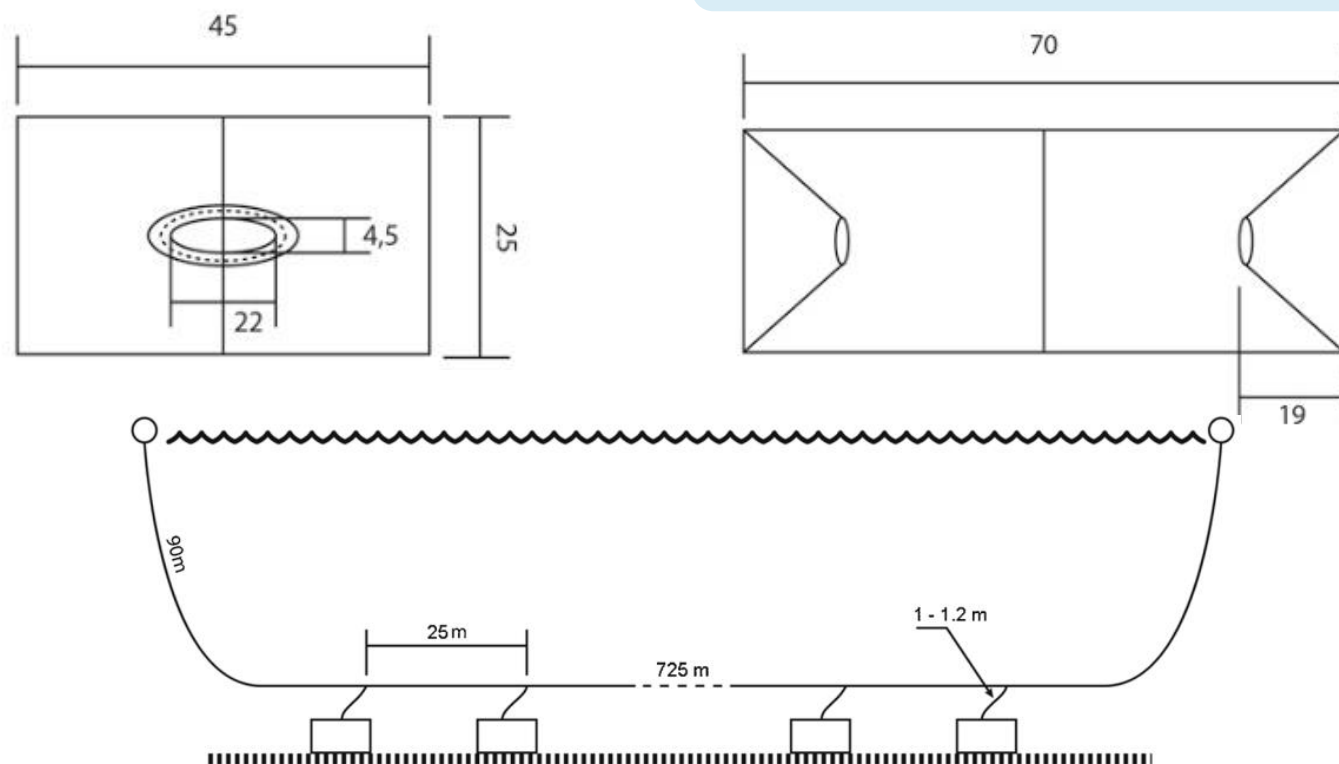
GEAR SPECIFICATION

Commercial creels made of 41 mm mesh size knotless polyamide netting were compared with standard creels made of 12 mm knotless polyamide netting



RESULTS

- All individuals caught in the test creels were above the minimum conservation reference size (20 mm CL),
- 28.8% to 65.9% increase in selectivity compared to trawls equipped with 40 mm square or 50 mm diamond codends.



FURTHER INFORMATION

Jure Brčić (jure.brcic@unist.hr)

Brčić, J., Herrmann, B., Mašanović, M., Baranović, M., Šifner, S.K., Škeljo, F., 2018. Size selection of *Nephrops norvegicus* (L.) in commercial creel fishery in the Mediterranean Sea. Fisheries Research 200, 25-32.



DiscardLess

