

inserting an excluder grid to avoid catching Blackmouth catshark in the Mediterranean bottom trawl fishery.

TARGET SPECIES

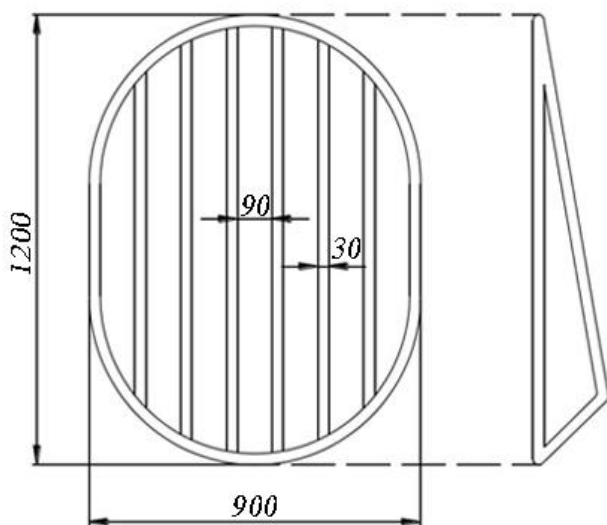
Norway lobster, greater forkbeard and all marketable species

AREA, VESSEL

6 hauls took place during 2012 on board the FV "Angela Madre" (206 kW, 22.7 m, 67 GT) in the Tyrrhenian Sea.

GEAR MODIFICATION

An excluder grid of 90 mm bar spacing was inserted in front of the 50 mm diamond mesh codend of a standard commercial demersal trawl



% retained	Blackmouth catshark	Norway lobster	Greater forkbeard
undersized	-	88	-
marketable	-	94	-
total	79	94	39

RESULTS

Bigger individuals of Blackmouth catshark escaped ahead of the grid. A large proportion of greater forkbeard were excluded by the grid.

A small percentage of marketable Norway lobster were excluded by the grid.

Reducing the grid bar spacing to 70 mm could provide a good trade-off between the reduction of Blackmouth catshark catches while keeping a high catch rate of greater forkbeard and Norway lobster.

FURTHER INFORMATION

a.sala@ismar.cnr.it



Consiglio Nazionale delle Ricerche



DiscardLess

www.discardless.eu/selectivity_manual

